

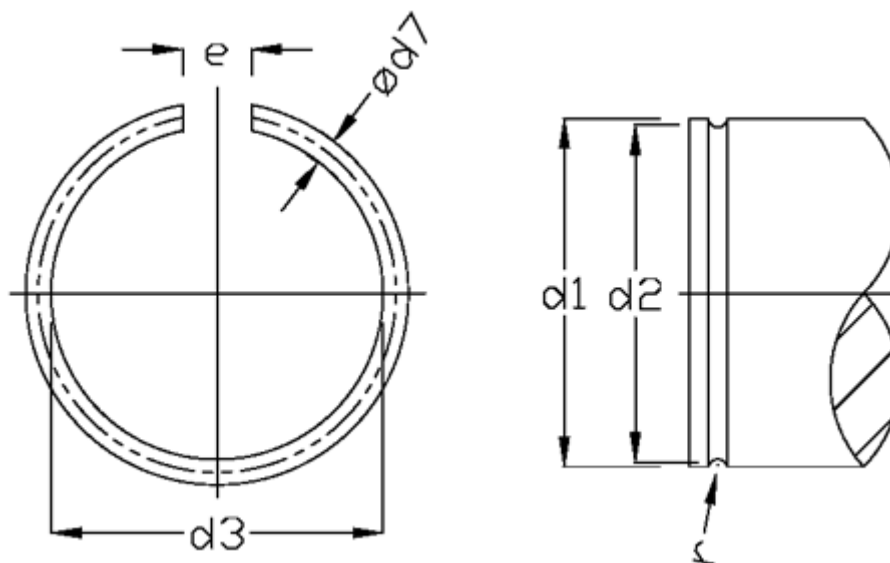
Data Sheet



Article number: 0128062

Description: Circlip RW 45 DIN 7993

Measures



d1	= 45	tol	= 0.10
d2	= 42.5	tol	= -0.8
d3	= 42.0	Weight kg/1000 = 5.230	
d7	= 2.5		
Description	= RW 45		
e	= 4		
n abl x 1000	= 4		
r	= 1.4		